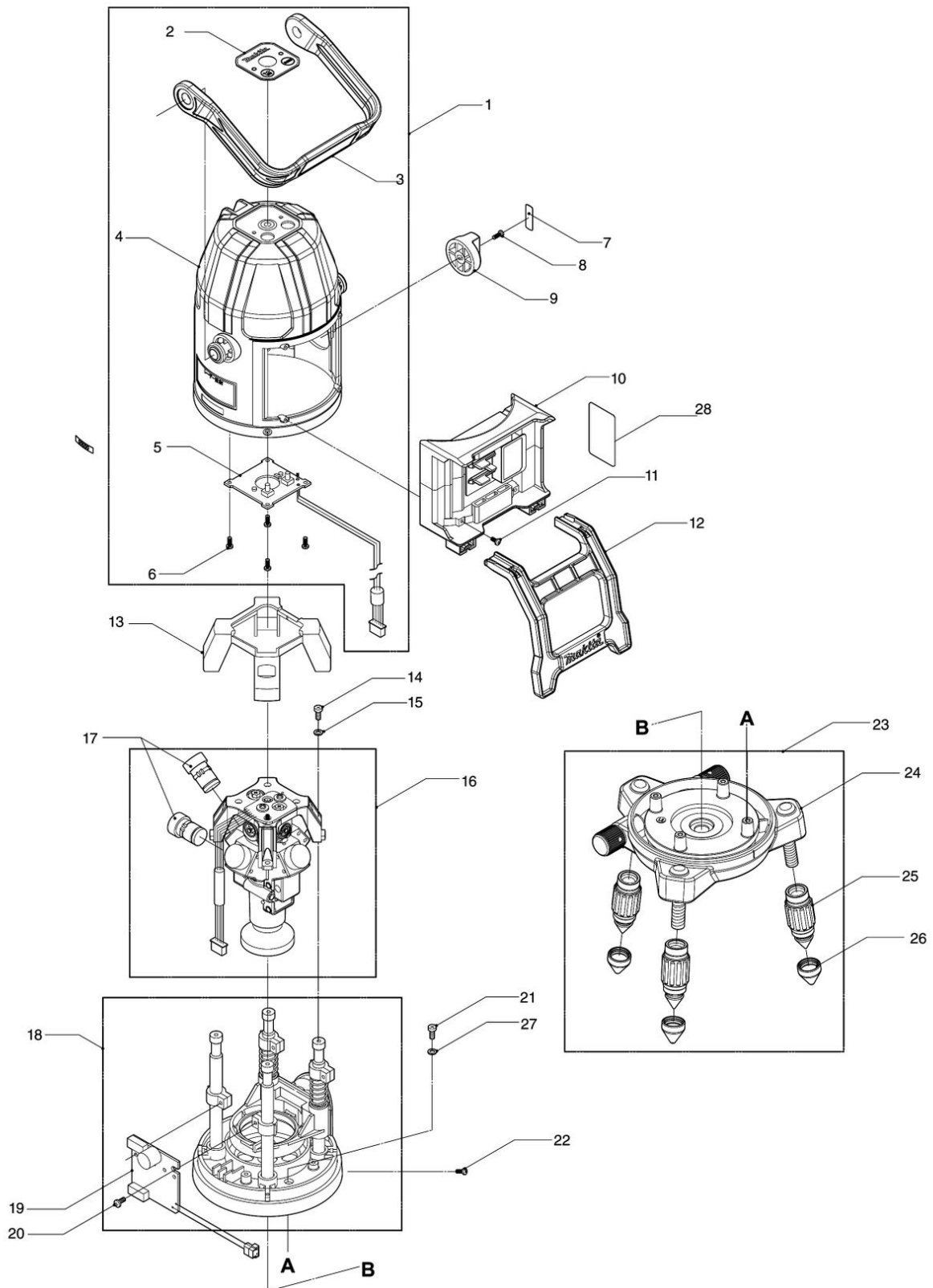


Model No.SK10GD GREEN MULTI LINE LASER



| Nr. | Part nr. | Name |
|-----|------------|-------------------------------|
| 001 | TK235UNSA1 | Motorhuis SK101GD |
| 002 | TK233UN101 | Label A/U SK10/20/40GD |
| 003 | TK01950104 | Handgreep SK10/20/40GD |
| 004 | TK235UN008 | Behuizing SK10GD |
| 005 | TK02330201 | Circuit assy SK10/20/40GD |
| 006 | TK02330508 | Parker 2,2x6,5 SK10/20GD |
| 007 | TK01700104 | Blokkeerknop label SK312GD |
| 008 | TK02330501 | Met.schr. M2x6 SK10/20/40GD |
| 009 | TK02330111 | Schakelknop SK10/20/40GD |
| 010 | TK0233009B | Aansluitunit SK10/20/40GD |
| 011 | TKTP2080FB | Metaalschroef 2x8 SK312GD |
| 012 | TK02330117 | Basisstatief SK10/20/40GD |
| 013 | TK02330302 | Afdekkap SK10/20/40GD |
| 014 | TK02330505 | Met.schr. M23x10 SK10/20/40GD |
| 015 | TK02330519 | Veerring 3mm SK10/20/40GD |
| 016 | TK0235SA02 | Ophanging assy SK10GD |
| 017 | TK02330205 | Laser unit grn SK10/20/40GD |
| 018 | TK0234SA03 | Basishuis SK10/20GD |
| 019 | TK02340202 | Circuit assy SK10/20GD |
| 020 | TK02330510 | Parker 2,2x12 SK10/20/40GD |
| 021 | TK02330504 | Met.schr. M3x8 SK10/20/40GD |
| 022 | TK0P2570FB | Met.schr. M2,5x7 SK10/20/40GD |
| 023 | TK0233SA04 | 3 poot assy SK10/20/40GD |
| 024 | TK0233005S | 3 poot SK10/20/40GD |
| 025 | TK0233323S | Voetpin SK10/20/40GD |
| 026 | TK02330325 | Voetkap SK10/20/40GD |
| 027 | TK02330519 | Veerring 3mm SK10/20/40GD |